

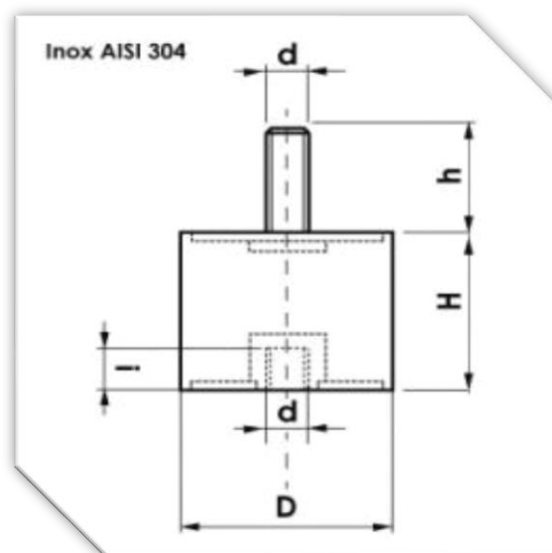
DAB

Rubber Antivibration Systems

EI-TYPE AISI 304 Stainless Steel: cylindrical anti-vibration male-female buffer

Cylindrical anti-vibration buffer with two seats composed of a AISI 304 stainless steel screw and nut. These are pressed on washers, sandblasted and attached, and then vulcanised on high-quality natural rubber mix. In stock in 55 Shore hardness.

This article is available on request with different specifications, in various screw sizes, Shore hardness and ground mix bases.



CODE	TYPE		DIMENSIONS		
	El inox		d	i	h
	D	H			
25x20	25	20	M6	5	18
25x25	25	25	M6	5	18
25x30	25	30	M6	5	18
25x40	25	40	M6	5	18
30x10					
30x20	30	20	M8	7	23
30x25	30	25	M8	7	23
30x30	30	30	M8	7	23
40x20					
40x25	40	25	M8	7	23
40x30	40	30	M8	7	23
40x40	40	40	M8	7	23
40x50	40	50	M8	7	23
50x20	50	20	M10	8	28
50x25	50	25	M10	8	28
50x30	50	30	M10	8	28
50x40	50	40	M10	8	28

CODE	TYPE		DIMENSIONS		
	El inox		d	i	h
	D	H			
50x40	50	40	M10	8	28
50x50	50	50	M10	8	28
50x60	50	60	M10	8	28
60x30	60	30	M10	8	28
60x40	60	40	M10	8	28
60x50	60	50	M10	8	28
75x25	75	25	M12	10	38
75x30	75	30	M12	10	38
75x40	75	40	M12	10	38
75x45	75	45	M12	10	38
75x50	75	50	M12	10	38
75x55	75	55	M12	10	38
80x40	80	40	M12	10	38
80x66	80	66	M12	10	38
100x40	100	40	M16	14	38
100x50	100	50	M16	14	38
100x80	100	80	M16	14	38

DAB srl - Via Carducci, 7 - Pieve Emanuele (MI) - 20072 - ITALY
 Tel. +39 02 90782170 - email info@dab-antivibranti.it - pec dabsrl@pcert.it
www.dab-antivibranti.it