

RUBBER ANTI-VIBRATION METAL BARS & PLATES

DAB's anti-vibration metal bars have been developed and built to withstand high workloads and are used when cylindrical anti-vibration products cannot be employed.

They are composed of two flats and inner natural rubber, 55 Shore hardness, ideal for any requirement.

Anti-vibration bars allow you to adapt any size and shape of base on the floor

They are particularly suitable for every type of electrical generator, power hammers, riveting machines and machine tools with high work frequencies.

They can withstand a crushing load equal to about 15% of the rubber height.

These work conditions correspond to a rubber load of about 14kg/cm².

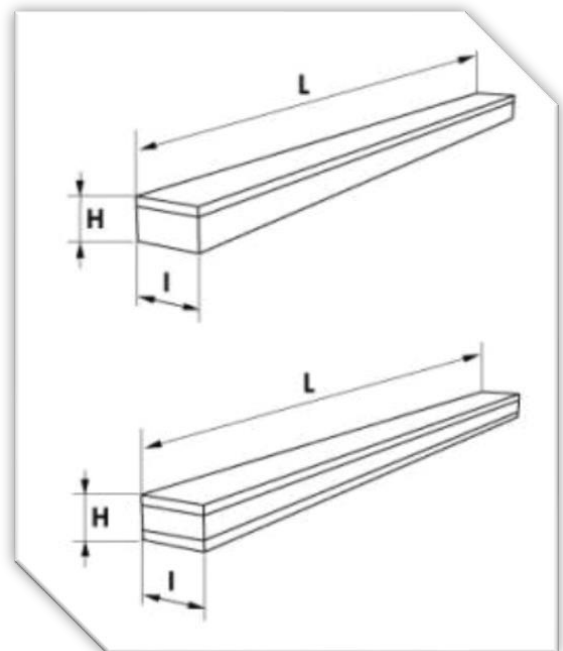
Also available upon request with different specifications, in various Shore hardness and ground mix bases.

Bars are supplied untreated (with no painting).

The metal plates are composed of one flat and a natural rubber base, 55 Shore hardness, ideal for any requirement. To be cut to measure, drilling and threading according to customer's specification, as for the metal bars.

Also available upon request with different specifications, in various Shore hardness and ground mix bases.

| CODE | BARS/PLATES TYPE | | | | |
|---------------|------------------|-----|----|-----------------------|--------------------------------|
| | Dimensions | | | | |
| | L | I | H | Sheet metal thickness | Load max (kg/cm ²) |
| B5050 | 1000 | 50 | 50 | 10 | 14 |
| B6050 | 1000 | 60 | 50 | 10 | 14 |
| B6060 | 1000 | 60 | 60 | 10 | 14 |
| B7050 | 1000 | 70 | 50 | 10 | 14 |
| B7060 | 1000 | 70 | 60 | 10 | 14 |
| B8050 | 1000 | 80 | 50 | 10 | 14 |
| B8060 | 1000 | 80 | 60 | 10 | 14 |
| B8070 | 1000 | 80 | 70 | 10 | 14 |
| B10050 | 1000 | 100 | 50 | 10 | 14 |
| B10060 | 1000 | 100 | 60 | 10 | 14 |



The articles shown in the table are available in stock
For different sizes request an offer to our sales department