

## SUCON: BELL SHAPED ANTI-VIBRATION MOUNT WITH THREADED NUT

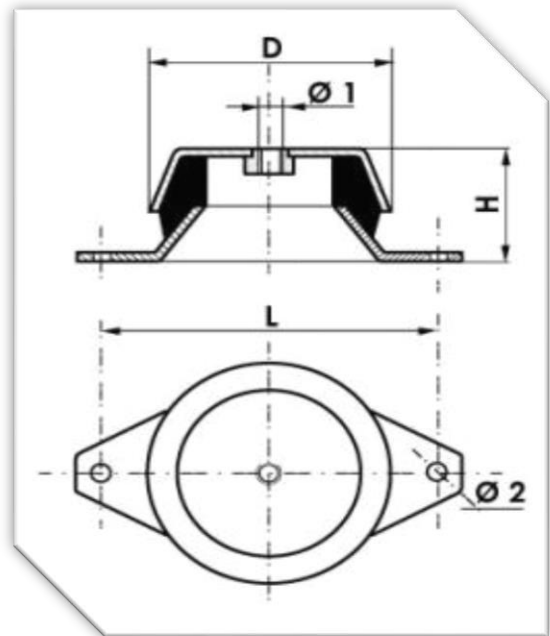
The elastic supports of the SUCON type are anti-vibration mounts of general purpose. Correctly used they dampen vibrations and noises. Produced in various sizes, with a rubber hardness of 45-60 Shore.

The SUCON feet are low-maintenance anti-vibration mounts and have a long service life thanks to the particular truncated cone shape of the metal reinforcements that, under the vertical and transversal forces of the operating machines, stress rubber by compression and shear/bending at the same time.

Typical applications of the SUCON mounts: any kind of motors, power units, machine tools, excenter presses, pumps, power transformers etc.

They are furthermore suitable for any application that requires a good transversal flexibility, as they withstand frequencies between 8 and 12 Hz.

The inner steel parts are zinc-plated.



CODE	SUCON TYPE WITH NUT - 45° Sh								
	DIMENSIONS								
	D	H	L	Ø 1	Ø 2	Kg	Freq. Perturb.	Freq. Propria	Deflection - Y
T1/D	48	23	68	M8	6,2	100	Hz 25	Hz 10	2,7
T2/D	62	30	85	M10	8,2	200	Hz 20	Hz 8	3,8
T3/D	92	45	110	M12/14	10,2	300	Hz 20	Hz 7,5	4,6
T4/D	120	50	160	M14/16	16,2	600	Hz 20	Hz 6,5	6
T5/D	160	60	200	M16/20	16,2	1200	Hz 20	Hz 7,5	4,4

CODE	SUCON TYPE WITH NUT - 60° Sh								
	DIMENSIONS								
	D	H	L	Ø 1	Ø 2	Kg	Freq. Perturb.	Freq. Propria	Deflection - Y
T1/D	48	23	68	M8	6,2	150	Hz 25	Hz 10	2,7
T2/D	62	30	85	M10	8,2	300	Hz 20	Hz 8	3,8
T3/D	92	45	110	M12/14	10,2	450	Hz 20	Hz 7,5	4,6
T4/D	120	50	160	M14/16	16,2	900	Hz 20	Hz 6,5	6
T5/D	160	60	200	M16/20	16,2	1800	Hz 20	Hz 7,5	4,4