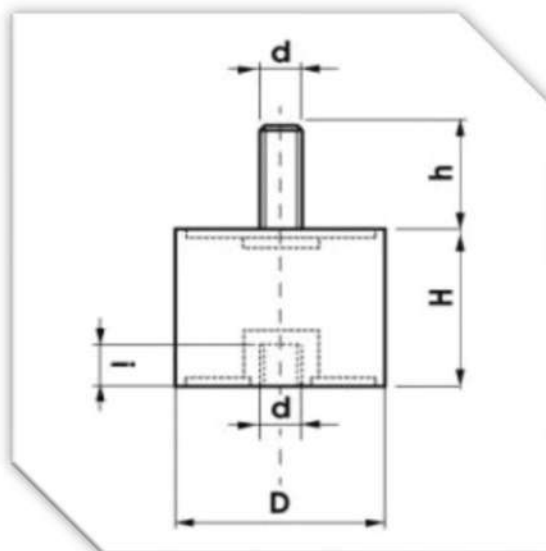


## EI-TYPE: Cylindrical anti-vibration male - female buffer

Cylindrical anti-vibration buffer with two seats composed of one screw and one nut, pressed on zinc-plated washers, vulcanised on high-quality natural rubber mix, on stock in 55 Shore hardness

Also available on request with different specifications, in various screw sizes, Shore A hardness and ground mix bases.



CODE	TYPE		DIMENS.		
	EI		d	i	h
	D	H			
6X7					
10x10					
15x4					
15x6					
15x10	15	10	M4	4	10
15x13,5	15	13,5	M4	4	10
15x15	15	15	M4	4	10
15x20	15	20	M4	4	10
15x30	15	30	M4	4	10
20x5,5					
20x7					
20x8					
20x8,5					
20x10					
20x12					
20x15	20	15	M6	5	15
20x20	20	20	M6	5	15
20x25	20	25	M6	5	15
20x30	20	30	M6	5	15
25x7					
25x10					
25x15	25	15	M6	5	18
25x20	25	20	M6	5	18
25x25	25	25	M6	5	18
25x30	25	30	M6	5	18
25x40	25	40	M6	5	18
30x10					
30x15					
30x20	30	20	M8	7	23
30x25	30	25	M8	7	23
30x30	30	30	M8	7	23
30x40	30	40	M8	7	23
40x20	40	20	M8	7	23
40x25	40	25	M8	7	23
40x25	40	25	M8	7	23

CODE	TYPE		DIMENS.		
	EI		d	i	h
	D	H			
40x30	40	30	M8	7	23
40x40	40	40	M8	7	23
40x50	40	50	M8	7	23
50x20	50	20	M10	8	28
50x25	50	25	M10	8	28
50x30	50	30	M10	8	28
50x40	50	40	M10	8	28
50x50	50	50	M10	8	28
50x60	50	60	M10	8	28
60x30	60	30	M10	8	28
60x30	60	30	M12	10	38
60x40	60	40	M10	8	28
60x40	60	40	M12	10	38
60x50	60	50	M10	8	28
60x50	60	50	M12	10	38
70x40	70	40	M10	8	28
70x40	70	40	M12	10	38
70x45	70	45	M10	8	28
70x50	70	50	M10	8	28
70x50	70	50	M12	10	38
75x15					
75x25	75	25	M12	10	38
75x30	75	30	M12	10	38
75x40	75	40	M12	10	38
75x45	75	45	M12	10	38
75x50	75	50	M12	10	38
75x55	75	55	M12	10	38
80x40	80	40	M12	10	38
80x66	80	66	M12	10	38
100x40	100	40	M16	14	38
100x50	100	50	M16	14	38
100x55	100	55	M16	14	38
100x60	100	60	M16	14	38
100x80	100	80	M16	14	38
180x170	180	170	M16		38